

SQUARELUME 12" AND 16"

Recessed Units Deliver Square Light Distribution To Lower Costs



FEATURES

- 12" & 16" designs
- Up to 400 watt HID
- Glass optics
- Alzak reflections
- Square or symmetric optics
- Grid or plaster ceilings

BENEFITS

- Less fixtures required
- Uniform illumination
- Lasting appearance

APPLICATIONS

- Inspection areas
- Canopies

- Corridors
- Assembly areas
- Commercial
- Schools
- Hospitals
- Corrosive, dirty environments

Specifications/Features

GENERAL

- Standard lens is C73 glass in lens frame.
- H.I.D. and Incandescent sources up to 200 watt in 12" reflector and up to 400 watt in 16" reflector.
- 1" Regressed trim flange of extruded aluminum eliminates high angle glare.
- Low profile ideal for shallow plenums.
- Fits either grid ceiling systems or plaster ceilings.

CONSTRUCTION

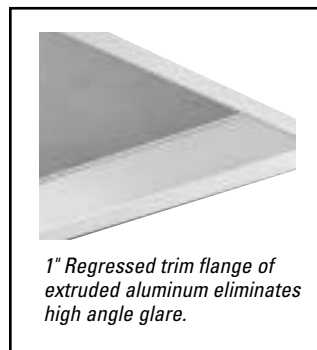
- Electro-galvanized steel mounting pan supports reflector door frame and ballast.
- Reflector hydroformed of rigid .060" aluminum with Alzak finish. Either 12" or 16" square depending on wattage specified.

DOOR FRAME/LENS

- Optional lens for square light distribution in either 12" or 16" sizes molded of 3/8" borosilicate glass.
- Optional lenses for wide corridors and narrow in 3/8" borosilicate glass and drop opal glass available for 12" size only.
- Extruded aluminum regress door frame held tightly to ceiling by torsion springs that also hold frame captive during relamping.

LISTINGS

- Listed, "Suitable for Damp Location — Recessed in Covered Ceilings."
- Listed for use in U.S.A. and Canada.



1" Regressed trim flange of extruded aluminum eliminates high angle glare.

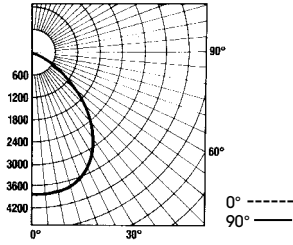
ELECTRICAL

- Ballasts for 120 and 277 volt are potted "F can," Class P mounted to steel pan and pre-wired.
- Ballasts for other voltages installed in aluminum ballast housing mounted to steel pan and connected to lamp holder and junction box by pre-wired flex conduit.
- All fixtures carry the IBEW Union label to insure quality.

Photometrics

Coefficients of Utilization
1 Lamp, 175W CTD MH HP3-12175F1-C73-1

Ceiling Refl.	80%			50%			10%		
	50	30	10	50	30	10	50	30	10
RCR	20% Effective Floor Cavity Reflectance								
1	.61	.59	.58	.58	.56	.55	.53	.53	.52
2	.55	.52	.49	.52	.49	.47	.48	.47	.45
3	.49	.45	.42	.47	.44	.41	.44	.42	.40
4	.44	.40	.37	.42	.39	.36	.40	.37	.35
5	.40	.36	.32	.38	.35	.32	.36	.34	.31
6	.37	.32	.29	.35	.31	.28	.33	.30	.28
7	.34	.29	.26	.32	.28	.25	.31	.28	.25
8	.31	.26	.23	.30	.26	.23	.29	.26	.23
9	.29	.24	.21	.28	.24	.21	.26	.23	.21
10	.26	.22	.19	.26	.22	.19	.25	.21	.19

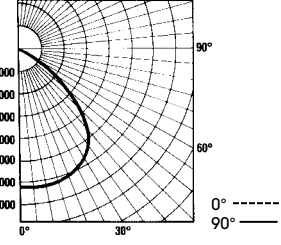


Report No.
P11320-7

S/MH Ratio 1.2:1
Total Lamp Lumens 14,000
Fixture Efficiency 57%

Coefficients of Utilization
1 Lamp, 250W Clear MH HP3-16250F-C73-1

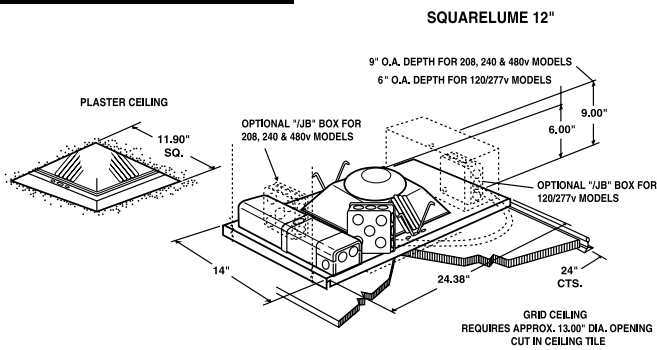
Ceiling Refl.	80%			50%			10%		
	50	30	10	50	30	10	50	30	10
RCR	20% Effective Floor Cavity Reflectance								
1	.74	.72	.71	.70	.68	.67	.65	.64	.63
2	.67	.63	.60	.63	.60	.58	.59	.57	.55
3	.60	.55	.52	.57	.53	.50	.53	.51	.49
4	.54	.49	.45	.51	.47	.44	.49	.45	.43
5	.49	.43	.39	.47	.42	.39	.44	.41	.38
6	.45	.39	.35	.43	.38	.34	.41	.37	.34
7	.41	.35	.31	.39	.34	.31	.37	.33	.30
8	.37	.32	.28	.36	.31	.28	.35	.31	.27
9	.34	.29	.25	.33	.29	.25	.32	.28	.25
10	.32	.27	.23	.31	.26	.23	.30	.26	.23



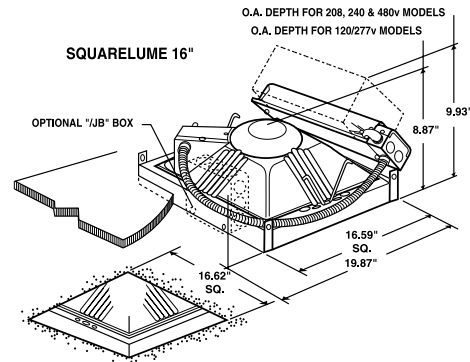
Report No.
P11328-6

S/MH Ratio 1.3:1
Total Lamp Lumens 20,500
Fixture Efficiency 69%

Dimensions



Note: Uses Horizontal Burning Lamp



SquareLume 12" and 16" Catalog Numbers

MP3 - 12 - 070 - F - 1 C73 - 1

LAMP TYPE
MP3 - PS Metal Halide
HP3 - Metal Halide
PP3 - High Pressure Sodium
IP3 - Incandescent

FIXTURE SIZE
12 - 12" Square
16 - 16" Square

LAMP WATTAGE
12" Square
- 200 Incandescent
70, 100, 150 & 175 MH
50, 70, 100 & 150 HP
16" Square
- 500 Incandescent
70, 100, 150, 175, 250, 400 MH
100, 150, & 250 HP

VOLTAGE
1 - 120V
2 - 277V
3 - 347V

LENS
C73 - Tempered Glass Prismatic
TX - Tufflex Glass

DOOR
1 - White
2 - Black

Options

- "/FF" - Fixture Fuse
- "/TP" - Tamper Proof Screws
- "/ISL" - Instant Standby Quartz
- "/JB" - Thru-wire Junction Box
- "/NL" - Nite Life Lampholder 16" only
- B11040 - Mounting Module for Grid Ceiling: 16" Fixtures only

Metal Halide Note:

1. Lamp manufacturers state" type E and S type lamps must be turned off for 15 minutes each week to prevent a non-passive failure"
2. Type O rated lamps have no turn-off requirement. An optional pink socket will only accept O rated lamps.