

GRL SELF-POWERED 6 OR 12 VOLT EMERGENCY LIGHT APPLICATION

Additional Emergency Power Capacity For Remote Lights



FEATURES

- 6 or 12 volt
- 15-200 watt housing
- Attached or remote heads
- Low voltage battery disconnect
- Automatic brownout protection
- Dual 120-277 volt input
- Steel housing

BENEFITS

- Covers large areas
- Low system cost
- Brownout operation
- Resists abuse
- Protected battery
- Easy installation
- High-temp suitable

APPLICATIONS

- Industrial plants
- Schools
- Parking areas
- Theatres
- Apartment buildings
- High-temp areas
- City of Chicago

Specifications/Features

GENERAL

- Emergency egress lighting fixture utilizing flood light design.
- Designed to meet NFPA Life Safety, OSHA, NEC, local and state codes.
- Wall mount design.

CONSTRUCTION

- Die-formed 22 gauge steel housing.
- Baked cream color finish.
- Knockouts provided for top, side or back entry.
- Knockouts provided for attachment to recessed outlet.
- Easy front access to wiring compartment and electronics.
- Key-slots provided for easy wall hanging.

LAMPS & LENS

- Glass lens provides trapezoidal distributions
- Lighting heads of durable "Noryl."
- Fully adjustable lighting heads.
- Available in choice of voltage and wattage.
- Also available in optional halogen lamps.

ELECTRICAL

- Dual 120 or 277 VAC input.
- Long life maintenance free lead calcium battery (optional pure lead and nickel cadmium available).
- 1-1/2 hours of light to an end battery voltage of 87-1/2% of nominal voltage. 2 hours for Chicago units.
- Remote fixture capability available on select models.



22 gauge steel cabinet finished in corrosion-resistant paint withstands the conditions in demanding environments.



Fully adjustable durable Noryl light heads equipped with glass lenses that provide glare-free trapezoidal light distribution from high intensity incandescent lamps.

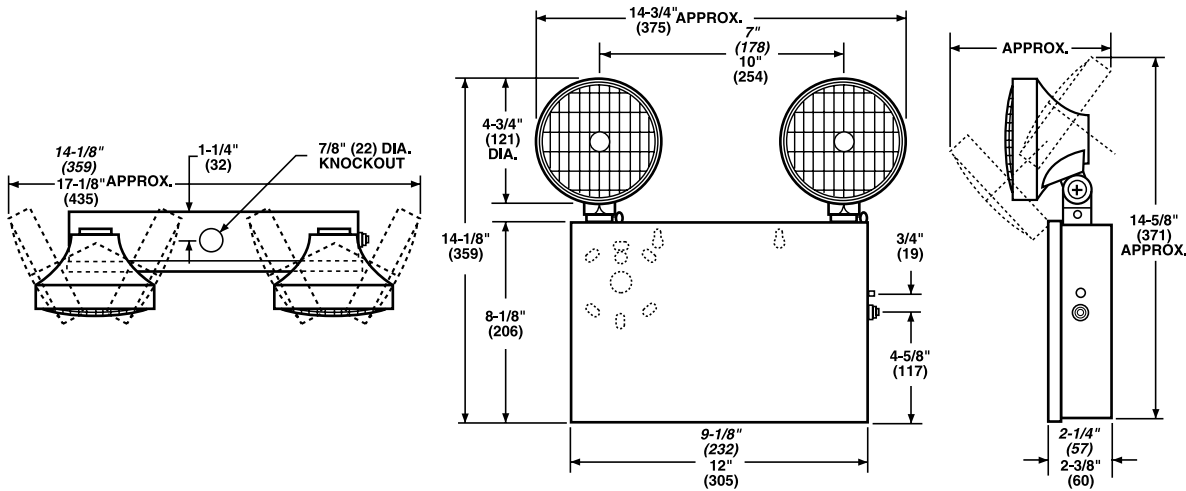
ELECTRONICS

- Automatic transfer switching circuit.
- Automatic temperature compensating, variable rate float charger; 24 hour recharge.
- Solid-state line-latched low voltage disconnect circuit guards against deep discharge of battery.
- Disconnect circuit protects DC output from short circuit, overload and surges.
- Brownout monitor activates unit at preset low AC voltage.
- Push to test switch.
- AC ready light.

LISTING

- U.L. Listed.
- Chicago approvals:
 - # 8371 E (GRL-7-C)
 - # 8372 E (GRL-9-C)
 - # 6815 E (G12RL-13-C)

Dimensions



GRL-6 Catalog Numbers

CATALOG NO.	VOLTS	WATTS	WT.	STANDARD LAMP
GRL-3	6	15	11 lbs.	7.2 watts incandescent (-03) (each head)
GRL-5	6	25	12 lbs.	
**GRL-7	6	30	12 lbs.	
**GRL-9	6	50	17 lbs.	
GRL-11	6	72	29 lbs.	
GRL-13	6	100	30 lbs.	
GRL-15	6	125	33 lbs.	

GRL-6 Light Output*

CATALOG NO.	1-1/2 HRS.	2 HRS.	3 HRS.	4 HRS.
GRL-3	15	11	9	6
GRL-5	25	20	15	12
GRL-7	30	22	17	12
GRL-9	50	40	30	24
GRL-11	72	54	36	28
GRL-13	100	78	50	36

*Capacity in watts to 87-1/2% Nominal Voltage.

G12RL Catalog Numbers

CATALOG NO.	VOLTS	WATTS	WT.	STANDARD LAMP
G12RL-12	12	30	16 lbs.	9 watts incandescent (-51) (each head)
G12RL-14	12	50	20 lbs.	
G12RL-16	12	72	29 lbs.	
**G12RL-18	12	100	30 lbs.	
G12RL-20	12	125	33 lbs.	
G12RL-22	12	200	40 lbs.	

G12RL Light Output*

CATALOG NO.	1-1/2 HRS.	2 HRS.	3 HRS.	4 HRS.
G12RL-12	30	22	17	12
G12RL-14	50	41	31	25
G12RL-16	72	54	36	28
G12RL-18	100	78	50	45

*Capacity in watts to 87-1/2% Nominal Voltage.

**Approved for city of Chicago. (Add "C" option)

Options

- "/V" - Voltmeter
- "/A" - Ammeter
- "/LC" - 3 Conductor Cord & Plug (120 VAC)
- "/TD-120" - Time Delay Monitor - 120 VAC
- "/TD-227" - Time Delay Monitor - 227 VAC
- "/MH" - Metal Lighting Head Substitution (Both Heads)
- "/SX" - SX-7 Self Diagnostic Circuit (except 24v)
- "/16" - 8 Watt Halogen Lamp Substitution
- "/GRLP" - Pure Lead Battery Substitute
- "/GRLN" - Nickel Cadmium Battery Substitute.
- Consult factory
- "/-C" - Chicago approved (adds 12W halogen lamps and 2 hour run time)
- "/SP" - Special Painted Emergency Light (specify color)
- "/A1H" - Add one lighting head

Remote Lamp Heads

The total lamp load of all heads must not exceed the 90 minute wattage rating. Select heads on pages E-14 and E-15.

G24RL Catalog Numbers

CATALOG NO.	VOLTS	WATTS	WT.	STANDARD LAMP
G24RL-15	24	50	20 lbs.	9 watts incandescent (-89) (each head)
G24RL-17	24	72	24 lbs.	
G24RL-19	24	100	30 lbs.	
G24RL-25	24	125	35 lbs.	

G24RL Light Output*

CATALOG NO.	1-1/2 HRS.	2 HRS.	3 HRS.	4 HRS.
G24RL-15	50	41	31	24
G24RL-17	72	54	36	28
G24RL-19	100	78	50	36
G24RL-25	125	94	62	45

*Capacity in watts to 87-1/2% Nominal Voltage.

Guth utilizes the services of U.L. and ETL for listing products. Specifications and data are subject to change without notice.

GUTH
A DIVISION OF JJI LIGHTING GROUP, INC.

E 7
R1/03